



Image may differ from product. See technical specification for details.

## W 6208-2RS1

### Stainless steel deep groove ball bearing with integral sealing

Stainless steel single row deep groove ball bearing with seals or shields on both sides, provide greater chemical and corrosion resistance. As with deep groove ball bearings generally, they are particularly versatile, have low friction and are optimized for low noise and low vibration, which enables high rotational speeds. They accommodate radial and axial loads in both directions, are easy to mount, and require less maintenance than other bearing types. The integral sealing can significantly prolong bearing service life because it keeps lubricant in the bearings and contaminants out.

- Greater chemical and corrosion resistance
- Integral sealing prolongs bearing service life
- Typical benefits of single row deep groove ball bearings

# Overview

## Dimensions

Bore diameter	40 mm
Outside diameter	80 mm
Width	18 mm

## Properties

Filling slots	Without
Number of rows	1
Locating feature, bearing outer ring	None
Bore type	Cylindrical
Cage	Sheet metal
Matched arrangement	No
Radial internal clearance	CN
Tolerance class	Normal
Material, bearing	Stainless steel
Coating	Without
Sealing	Seal on both sides
Sealing type	Contact
Lubricant	Grease
Relubrication feature	Without

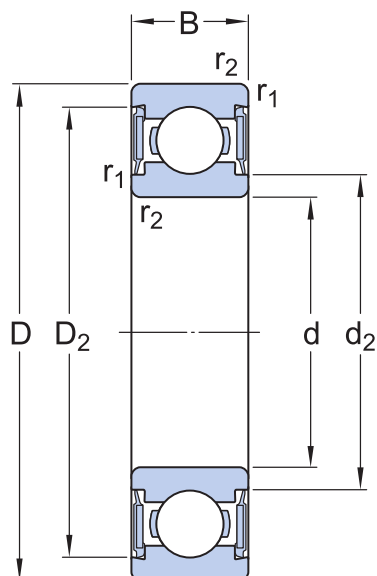
## Performance

Basic dynamic load rating	25.1 kN
Basic static load rating	17.6 kN
Limiting speed	5 600 r/min

## Logistics

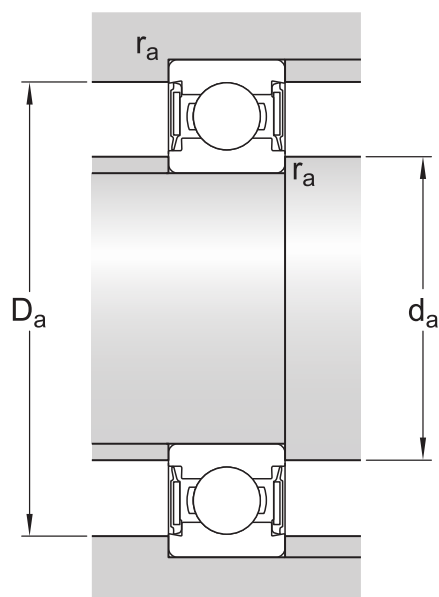
Product net weight	0.366 kg
eClass code	23-05-08-01
UNSPSC code	31171504

## Technical specification



## Dimensions

$d$	40 mm	Bore diameter
$D$	80 mm	Outside diameter
$B$	18 mm	Width
$d_2$	$\approx 50.1$ mm	Recess diameter
$D_2$	$\approx 70.78$ mm	Recess diameter
$r_{1,2}$	min. 1.1 mm	Chamfer dimension



## Abutment dimensions

$d_a$	min. 46.5 mm	Diameter of shaft abutment
$d_a$	max. 50 mm	Diameter of shaft abutment
$D_a$	max. 73.5 mm	Diameter of housing abutment
$r_a$	max. 1 mm	Radius of shaft or housing fillet

## Calculation data

Basic dynamic load rating	$C$	25.1 kN
Basic static load rating	$C_0$	17.6 kN
Fatigue load limit	$P_u$	0.75 kN
Limiting speed		5 600 r/min
Minimum load factor	$k_r$	0.03
Calculation factor	$f_0$	14

## Mass

Mass bearing	0.36 kg
--------------	---------

## Tolerance class

---

Dimensional tolerances

Normal

---

Radial run-out

Normal